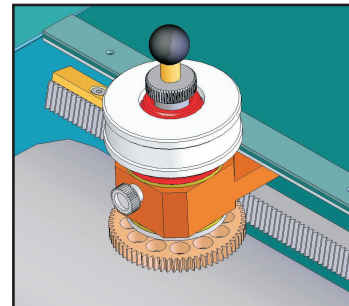


LABORATORY EQUIPMENTS

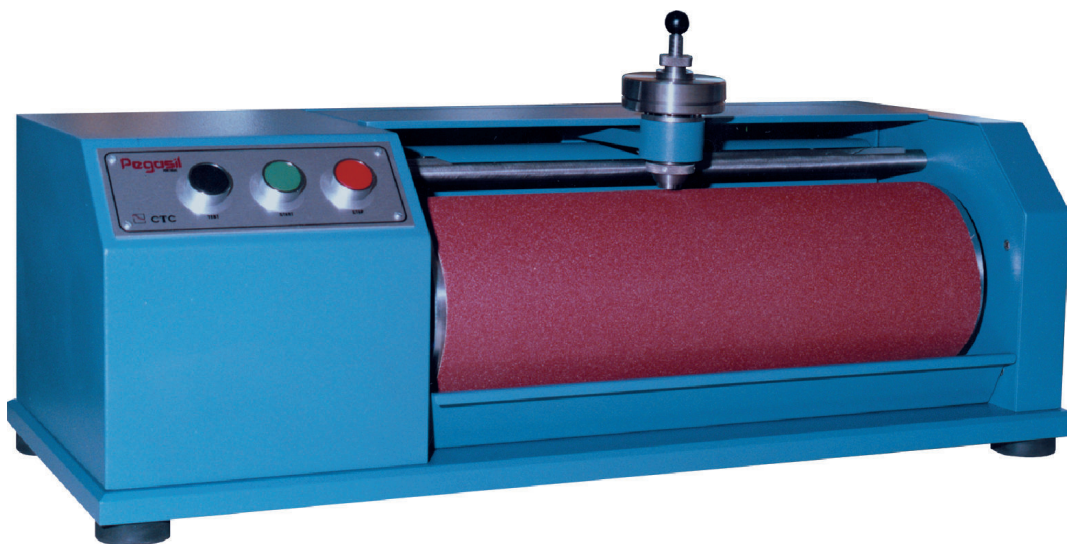


Made in EU

Pegasil[®] by **ZIPOR**



Detail of the
Rotating test piece holder



Abrasion test machine with rotating test piece holder

EL-78R

Standards: SATRA TM174 ; ISO 4649 ; DIN 53 516 ; EN 12770 ; ASTM D5963:A, D

Commercial Services:
Tel.: +351.256 831 411
Fax: +351.256 831 412

ZIPOR - Equipamentos e Tecnologia Industrial, S.A.

email: p.silva@zipor.com

Technical Services:
Tel.: +351.256 888 240
Fax: +351.256 888 121

LABORATORY EQUIPMENTS

Abrasion test machine with rotating test piece holder

DESCRIPTION:

This equipment is used to assess the abrasion of elastometers subject to wear by abrasive action.

The abrasion machine basically consists of a laterally movable test piece holder and a rotatable cylinder to which an specified abrasive cloth is fixed.

The diameter of the cylinder is 150 mm and the frequency of rotation 40 Rpm.

The test piece holder consists of a cylindrical opening, the diameter of which can be adjusted and have a device for adjusting the length of the test piece protruding from the opening to 2 mm.

The test piece holder is mounted on a swivel arm, the center axis of the holder have an inclination of 3° to the perpendicular in the direction of rotation and the centre of the test piece to be abraded shall lie within 1 mm directly above the longitudinal axis of the cylinder. The test piece is pressed against the abrasive cloth with a force of 10 N and the lateral displacement is approximately 4,2 mm per revolution of the cylinder, so that test piece is only traversed four times across the same area of the abrasive cloth.

The test automatically stops at the end of the abrasion distance.

The control panel is placed at the right side of the machine and possess three buttons with functions of: Test ; Start and Stop.

This version has the possibility to perform the test with rotating test piece holder to accomplish "ASTM D5963" standard.

Supplied with:

. Operating instructions ; conformity / calibration certificate
. Sample knife

Standards:

SATRA TM174 ; ISO 4649 ; DIN 53 516 ; EN 12770 ; ASTM D5963:A, D

Power Consumption:

400 W

Noise:

67 db

Power Supply:

230 V.AC - 50/60 Hz

Commercial Services:

Tel.: +351.256 831 411

Fax: +351.256 831 412

ZIPOR - Equipamentos e Tecnologia Industrial, S.A.

email: pegasil@zipor.com

Technical Services:

Tel.: +351.256 888 240

Fax: +351.256 888 121